

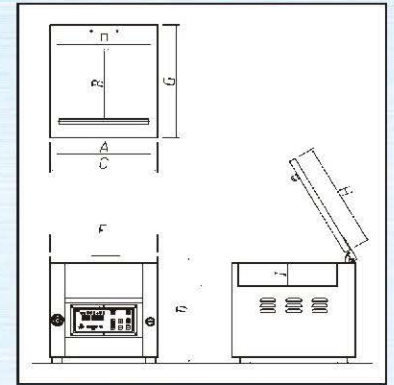
TC Series Vacuum Chamber Packaging Machines

Technical Specifications



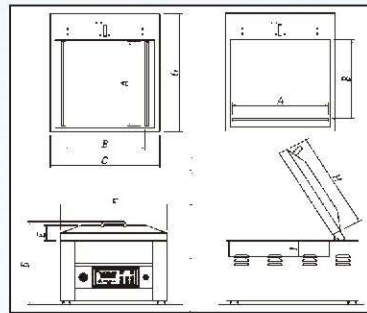
TC-280

MODELS	TC-280F	TC-280FB
Chamber Size(FxH)	14.1"/360mm(F) 15.1"/385mm(H)	14.1"/360 mm(F) 15.1"/385mm(H)
Chamber Depth(I)	3.7"/95mm	3.7"/95mm
Distance Between Seal Bars(B)	11.8"/300mm	9.8"/250mm
Seal Bar Length(A)	11.8"x1/300mm	11.8"x2/300mm
Vacuum Pump Capacity	6m3/h (1/2 hp)	6m3/h (1/2 hp)
Power /Amp	0.6kw/4.4A	0.6kw/4.4A
Voltage	110V/1ph/60Hz	110V/1ph/60Hz
Machine Size CxGxD	15"x18"x16" 380x457x406mm	15"x18"x16" 380x457x406mm
Machine Weight	88 lbs.(40kg)	88 lbs.(40kg)



TC-420

MODELS	TC-420F	TC-420LR	TC-520F	TC-520LR
Chamber Size(FxH)	19.8"/505mm(F) 19.2"/490mm(H)	19.8"/505mm(F) 19.2"/490mm(H)	23.6"/600mm X 23.6"/600mm	23.6"/600mm X 23.6"/600mm
Chamber Depth(E)	7"/75+105mm(E+I)	7"/75+105mm(E+I)	6.8"/75+100mm(E+I)	6.8"/75+100mm(E+I)
Distance Between Seal Bars(B)	14.9"/380mm	14.5"/370mm	19.8"/505mm	17.7"/450mm
Seal Bar Length(A)	17.7"*1/450mm	16.9"*2/430mm	21.2"*/540mm	21.2"*2/540mm
Vacuum Pump Capacity	21m3/h (1/1/4 hp)	21m3/h (1/1/4 hp)	21m3/h (1/1/4 hp)	21m3/h (1/1/4 hp)
Power /Amp	1.2kw/13A	1.2kw/13A	1.2kw/13A	1.2kw/13A
Voltage	110V/1ph/60Hz	110V/1ph/60Hz	110V/1ph/60Hz	110V/1ph/60Hz
Machine Size CxGxD	20"x21"x21" 508x533x533mm	20"x21"x21" 508x533x533mm	24"x30"x22" 610x762x558mm	24"x30"x22" 610x762x558mm
Machine Weight	154 lbs.(70kg)	154 lbs.(70kg)	209 lbs.(95kg)	209 lbs.(95kg)



Standard Feature:

- Stainless steel construction
- Acrylic plastic lid
- Bladder activated sealing
- MPC 20-Microprocessor control (20 Program with oil indicator)
- Durable aluminum seal bar
- BUSCH vacuum pump
- Water resistant (IP 65)
- LCD Control panel
- Soft air
- Clear see through lid
- Seal bar selector (front/sides/all)

Options

- Pump size
- Electricity
- Gas flush kit
- Air regulator(TC-280/TC-420)
- Stainless steel cart

All specifications are subject to change without notice.



TC-520

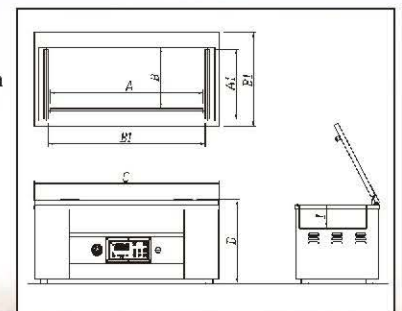
MODELS	TC-350FLR
Chamber Size(FxH)	41.4"/1050mm(F) 16.6"/422mm(H)
Chamber Depth(I)	4.7"/120mm
Seal Bars(B)	34.2"/310mm(B)
Distance Between	12.2"/870mm(B1)
Seal Bar Length(A)	32.8x1/835mm(A) 14.1"x2/360mm(A1)
Vacuum Pump Capacity	21m3/h (1/1/4 hp)
Power /Amp	1.3kw/13A
Voltage	110V/1ph/60Hz
Machine Size CxGxD	42"x19"x17" 1066x482x430mm
Machine Weight	253 lbs.(115kg)

Standard Feature:

- Single chamber (table top model)
- Stainless-steel construction
- Computerized control (20 programs)
- Clear see through lid
- Filler plates
- Air assist
- Electric cut off seal bar
- 3 seal bar position switch

Options

- Gas flush -
- Electric cut off seal bars
- Custom chamber sizes available.



TC-350

All specifications are subject to change without notice.

