

AZZAR AG

NEW ! NEW ! NEW !

AZZAR AG • Wylenstrasse 25 • CH - 6440 Brunnen • Switzerland • Phone: +41 (0)41 825 00 25 • info@azzar.ch • azzar.ch



For over 45 Years we have produced Swiss Quality Machines for the Food Industry

PROVATEC

760 E



- 100% Electric
- Small Footprint
- Energy Efficient
- 0% Hydraulic Oil
- Less Maintenance
- Up to 90+ Stroke/Min.
- Accepts most existing Mold Plates

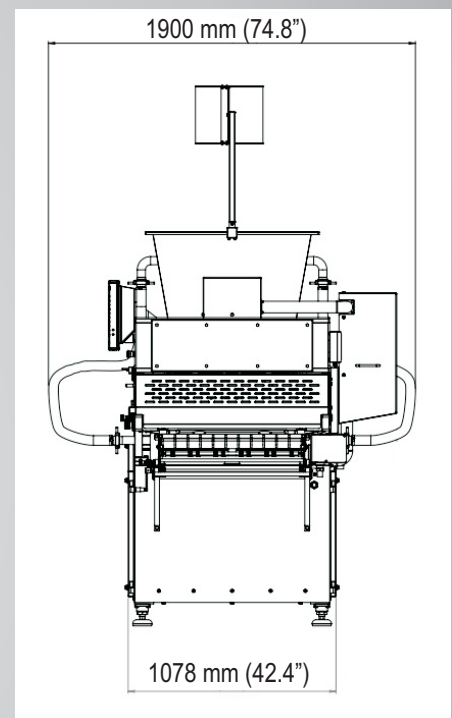
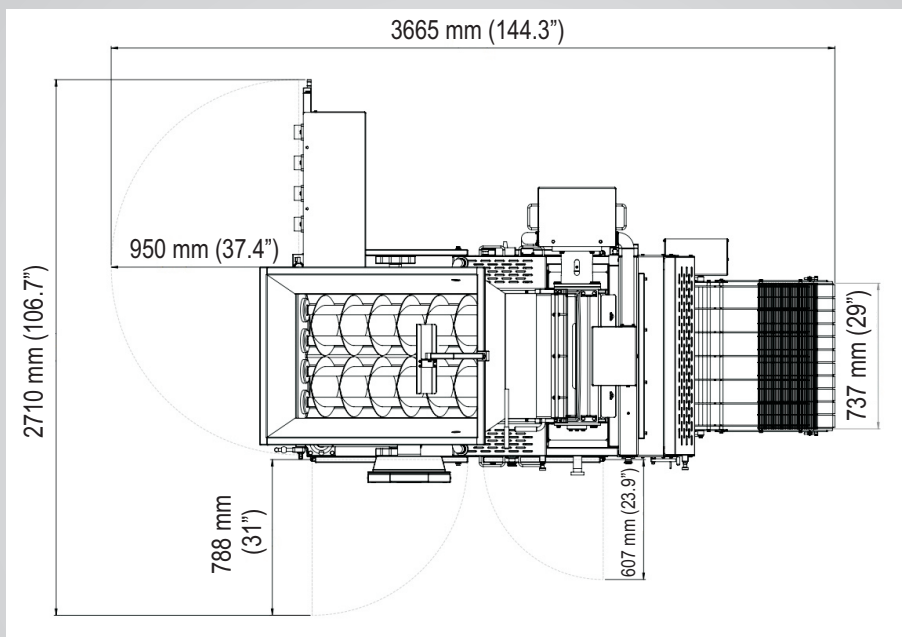
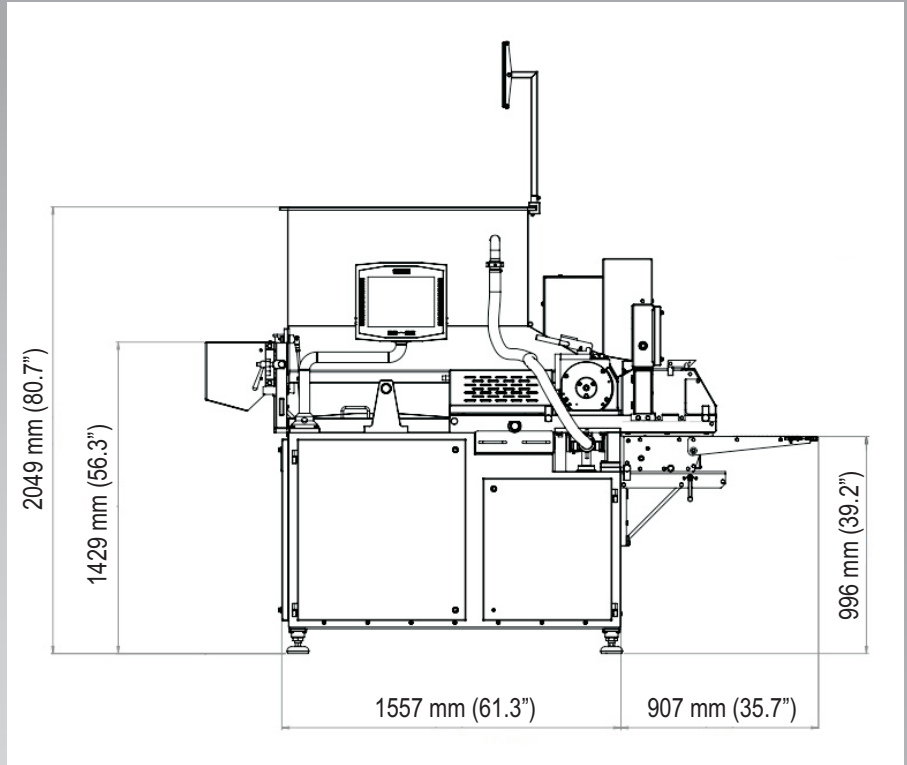
Patent applied for

100% Electric

Manufacturer of **PROVATEC** Food Processing Equipment

PROVATEC 760 E

- Minimum Leakage
- Rapid Changeover
- Accurate Weights



100% Electric