

# LVO Pan Washers In A Class Of Their Own



# High-Pressure For The Cleanest Wash Possible



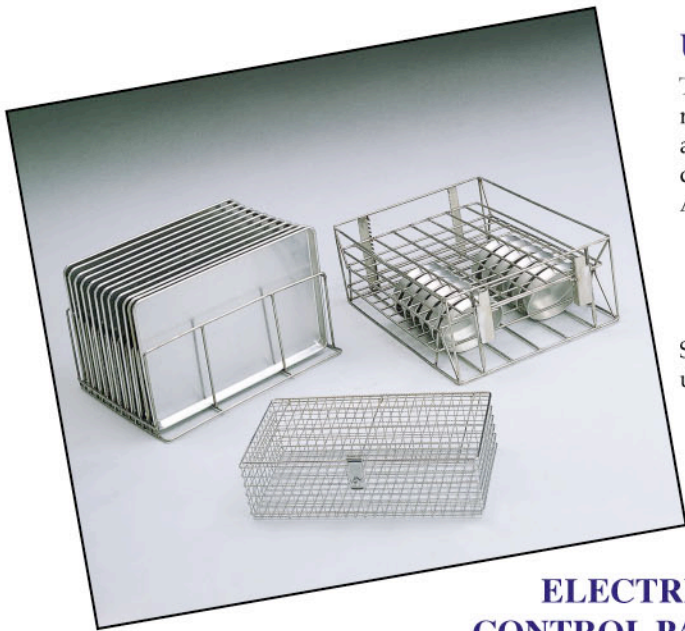
- Washes a variety of items in one cycle
- Front loading, for easy loading and unloading
- Heavy duty stainless steel construction
- Recirculating wash water
- Easy to remove, double filtration system
- Four rotating wash arms with high velocity spray nozzles
- Separate wash and rinse tanks with adjustable cycle timers

## Model FL 36

- Self contained water heated by electric, gas or steam
- External wash-down hose
- Maintenance free hub system
- Waterproof LED Digital Gauges
- One year parts and labor warranty







## UTILITY RACKS

These stainless steel utility racks are sturdy and reliable, and are built to withstand the day to day operations.

Available Racks:

- Bun/Sheet Pan Rack
- Cake Pan Rack
- Utensil Basket w/hold down lid

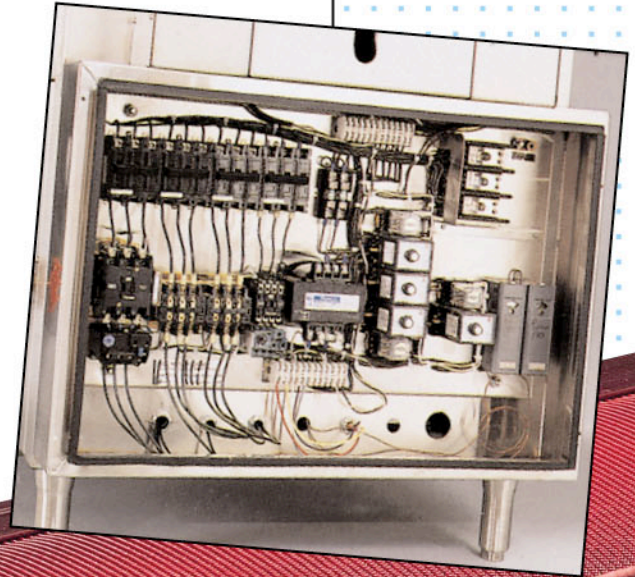
Special racks can be built upon customer request.

Visit us on the web at  
[www.lvomfg.com](http://www.lvomfg.com).

## ELECTRICAL CONTROL PANEL

Our stainless steel, UL approved control panel is dependable and accessible. Using breakers and a limited number of fuses allows nearly trouble free operation.

Available with 208, 230, 460V-3 phase or single phase.



## INFRARED BURNERS

- Quieter
- Better than 80% efficient
- Cleaner burning
- No burner tubing to clean or maintain in the wash tank
- Repairs & maintenance of burners easier and more economical

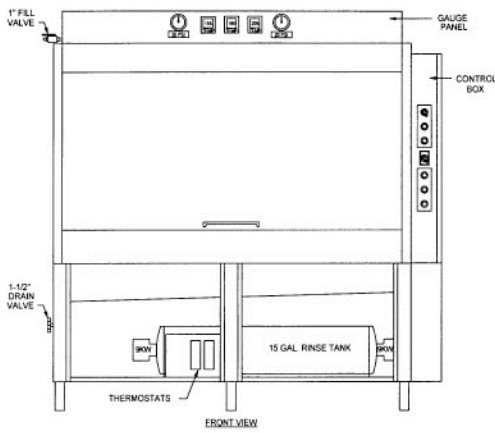


## POWER VENTING

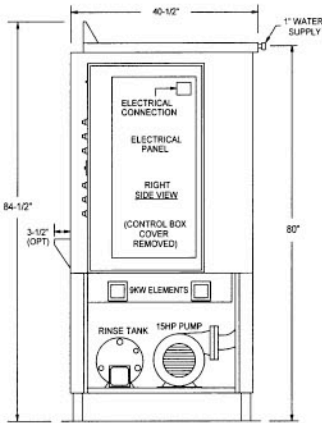
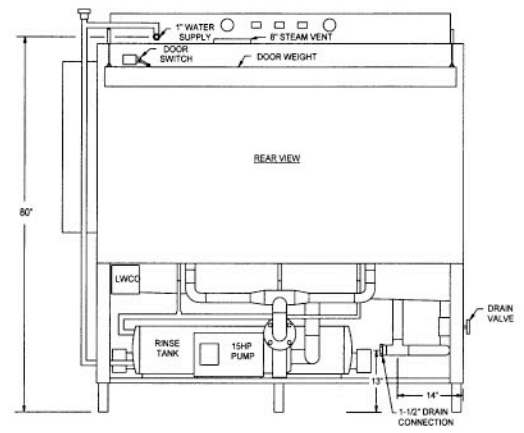
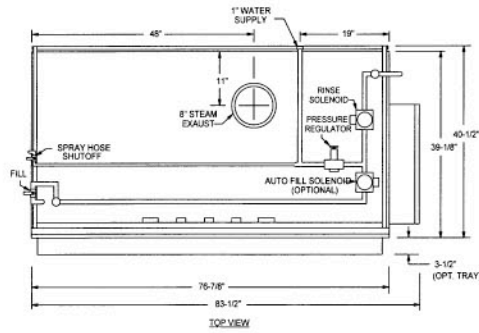
Remove steam from your washer quickly and efficiently before it enters your work area. With the 100 CFM Tjernlund Fan or the 700 CFM American Fan, it is sure to work for you.

**We Service  
What We Sell !**





# Electric

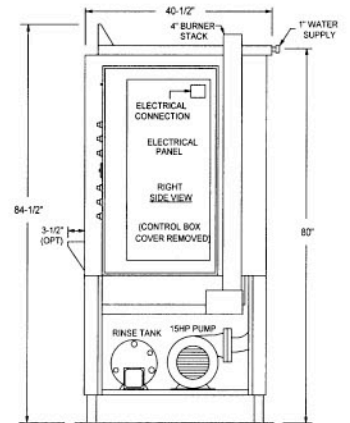


Width 77"  
 Depth 41-1/4"  
 Height 84-1/2"

Height with open door 105"

## Total Amperage

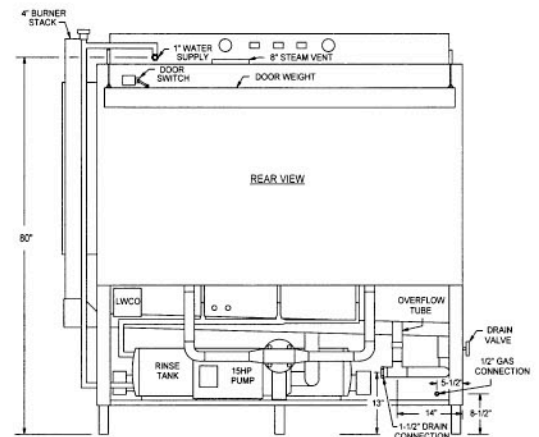
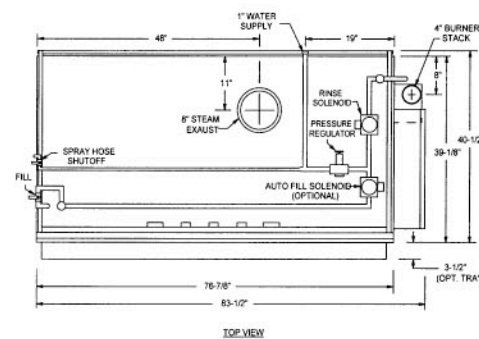
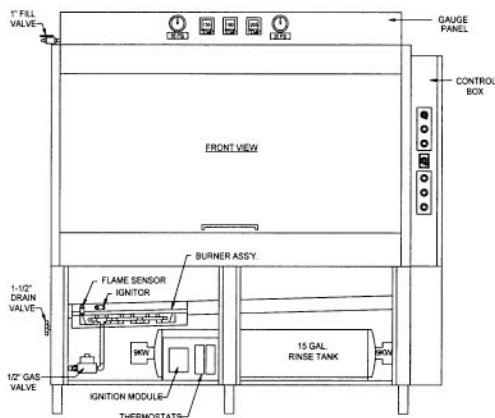
	208V	230V	460V
Electric	140.0	128.4	62.5
Gas or Steam Injected	90.0	83.2	42.6
Recirculating Steam	40.0	38.0	20.0



**Electric**

**Gas**

Gas Rating 90,000 BTU  
 Wash Tank Cap. - 70 gal.  
 Rinse Tank Cap. - 15 gal.  
 35 sec. rinse @ 20 psi - 10.5 gal/cycle



# Gas

## LVO MANUFACTURING INC.

**We Service  
 What We Sell!**



P.O. Box 188, 808 N 2nd Avenue E  
 Rock Rapids Iowa 51246  
 Phone: 712/472-3734 or 712/472-3735  
 Toll Free 1-800-346-5749  
 Fax 712-472-2203