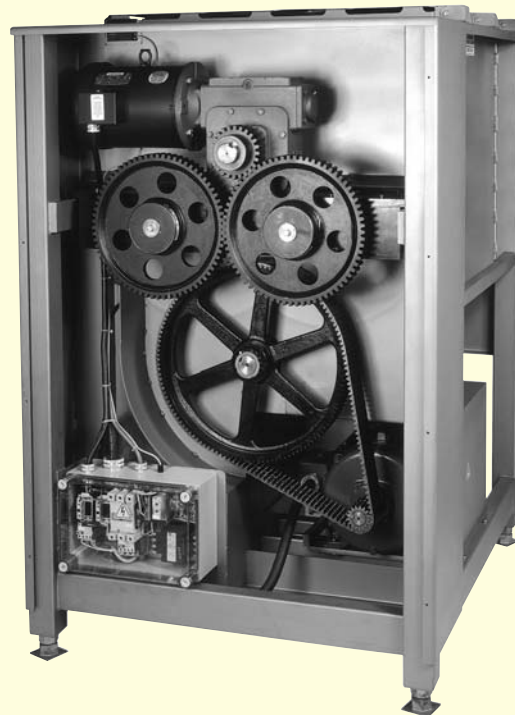




Known for Reliability Since 1921

With the BIRO Model AFMG-56 Mk III Mixer Grinder you can start increasing the output of your grinding operation without having to spend a fortune.

The 800 lb. (362.9 kg) hopper gives you the kind of capacity you need, and the 20 hp (15 kW) auger motor gives you the power you need. The 5 hp (3.7 kW) mixer motor is strong enough that it won't bog down with a full hopper, and the twin mixing paddles give you a quick, thorough mix. Safety interlocks and a pneumatic lift for the lid help ensure safety, and the machine has watertight controls and TEFC motors so you can do a full washdown cleanup. The hopper and frame are constructed of heavy duty stainless steel so it resists damage and corrosion. As with all BIRO designed and built machines, you get the benefit of over 90 years of engineering experience in building meat processing equipment.



AFMG-56 MK III

SPECIFICATIONS

MODEL
CONSTRUCTION
MOTORS

AFMG-56MKIII AUTO-FEED MIXER GRINDER.
HEAVY DUTY STAINLESS STEEL HOPPER, LID, PADDLES, FRAME AND LEGS,
STAINLESS STEEL SIZE 56 BOWL, RING, AND AUGER.

MOTOR	HP	KW	TYPE	VOLTS	AMPS	HERTZ	PHASE	CODE
AUGER	20	14.9	TEFC	208-230/460	53-48/24	60	3	STD
MIXER	5	3.7	TEFC	208-230/460	14-13/6.6	60	3	STD
AUGER	20	14.9	TEFC	200	55	60	3	EC
MIXER	5	3.7	TEFC	200	15.9	60	3	EC
AUGER	20	14.9	TEFC	575	26	60	3	EC
MIXER	5	3.7	TEFC	575	5.2	60	3	EC
AUGER	20	14.9	TEFC	220/380-415	56/27-29.3	50	3	EC
MIXER	5	3.7	TEFC	220/380-415	14/8.1-7.4	50	3	EC

STD=STANDARD EC=EXTRA COST TEFC= TOTALLY ENCLOSED FAN COOLED

SWITCH
POWER CORD

WATERTIGHT MAGNETIC CONTROLLER WITH THERMAL OVERLOAD AND UNDER VOLTAGE PROTECTION, SEPARATE MIX AND GRIND CONTROLS, MIX STAGE TIMER IS FACTORY PRESET FOR 2 MINUTES ON/5 MINUTES OFF.
FOR 200-230 VOLT OPERATION, 9" (22.86 CM) NO. 4 WIRE, 4 STRAND POWER CORD - NO PLUG.
FOR 380-575 VOLT OPERATION, 9" (22.86 CM) NO. 6 WIRE, 4 STRAND POWER CORD - NO PLUG.

HOPPER CAPACITY
GRINDING CAPACITY
DRIVE SYSTEM

UP TO 800 LBS. (362.9 KG).
UP TO 250 LBS. (113.7 KG) OUTPUT PER MINUTE.
AUGER: 20HP (11.2 KW) T.E.F.C. MOTOR, SINGLE REDUCTION SILENT CHAIN.
MIXER FEED PADDLES: 5 HP (3.7 KW) T.E.F.C., HEAVY DUTY DOUBLE REDUCTION GEAR BOX AND HEAVY DUTY OPEN FACE GEAR DRIVE.

SAFETY
STANDARD

MAGNETIC SAFETY INTERLOCK ON LID.
NO INLET (SOLID TUB) HOPPER; STAINLESS STEEL BOWL, RING, AND AUGER; PNEUMATIC LID OPENER REGULATED TO 45 P.S.I., STAINLESS STEEL SPURT GUARD, RING WRENCH, OPERATING AND SAFETY MANUAL.

OPTIONS (EC)

SIZE 56 KNIVES AND PLATES; CAST IRON HOT TIN-DIPPED SIZE 56 BOWL, RING AND AUGER; ROD STYLE GRATED LID FOR CONTINUOUS FEED; LOCKING SWIVEL CASTERS; 90° STRAIGHT RIGHT OR LEFT HAND FEED INLET WITH FUNNEL AND CONNECTIONS FOR TANDEM SYSTEM; SIZE 56 SINUE COLLECTION SYSTEM.

CERTIFICATION

C.F.I.A.

WEIGHT

UNCRATED: 1800 LBS. (818.2 KG) APPROXIMATE
WOOD CRATE: 2526 LBS. (1145.8 KG) APPROXIMATE

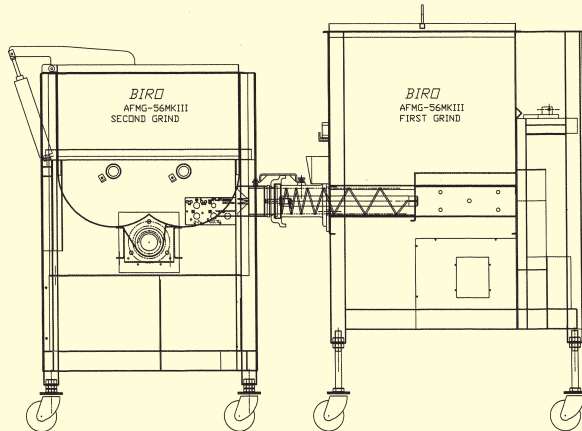
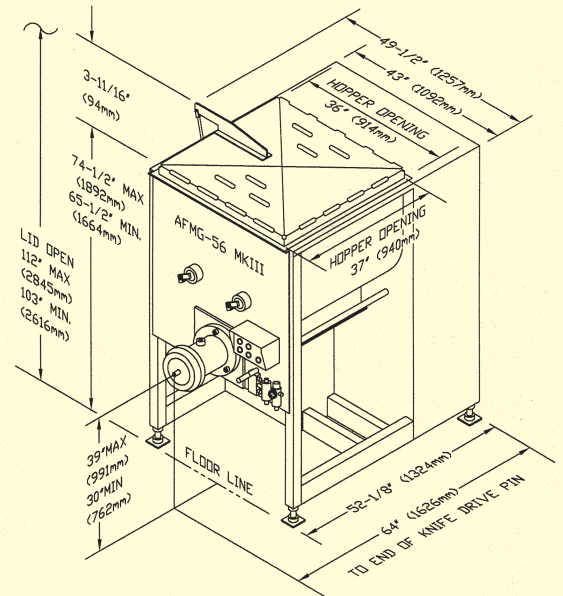
DIMENSIONS CRATED

L = 73" (185.4 CM), W = 65" (165.1 CM), H = 82" (208.3 CM)

3/8" (9.0 mm)



1/8" (3.5 mm)



RIGHT TO LEFT TANDEM SYSTEM

THE BIRO MANUFACTURING COMPANY
1114 WEST MAIN STREET
MARBLEHEAD, OH 43440-2099 U.S.A.
Phone: (419) 798-4451, Fax: (419) 798-9106
sales@birosaw.com, <http://www.birosaw.com>

ALL SPECIFICATIONS CONTAINED HEREIN ARE SUBJECT TO CHANGE WITHOUT NOTIFICATION.

ITEM NO.: LIT AFMG-56 MK III-309
FORM NO.: Md AFMG-56 MK III-309-3-11-4-ENG-MARK

Service is available from over 260 locations worldwide